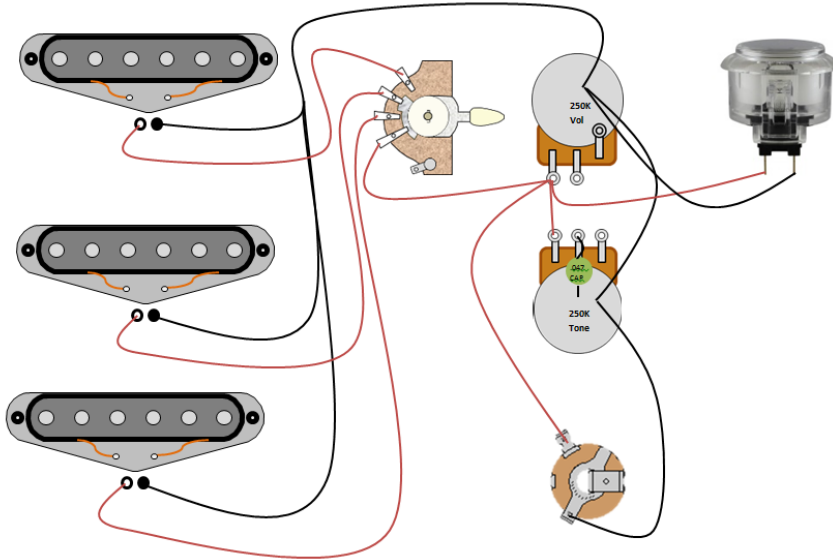


TESI DITO Installation Instructions

Wiring Diagram – Passive

- (1) Volume
- (1) Master Tone
- (1) Standard Output Jack
- (1) Tesi DITO Kill Switch
- (1) 5-Way Selector
- (3) Single Coil Pickups



Wiring your Tesi DITO kill switch is simple. Take the red wire and connect it to the hot or live signal on your volume pot. The Black wire can be connected to any ground point within the guitar.

RED = Live signal

Black = Ground

*Please keep in mind that if you are going from (2) tone pots down to one you may need to rewire the selector switch, volume and tone in order for everything to work properly.